

Design™ Air

Windows

Design is the most stable and quiet frameless system on the market. The Design window has no visible handles, and the absence of a frame creates the impression of uninterrupted glazing. The window system is unlocked by attaching a magnetic key from inside the balcony to a specific tab on the frame. The window is designed to be operated using one hand. Once the first window is folded inwards, the remaining windows can be pushed sideways until the balcony is fully open. When the windows are returned to the closed position, they are locked by simply removing the magnetic key from the tab.

Front

The main feature of the Design Air system is the tall window profile, with the lower section of the glazing standing 800mm high from the floor. For safety a handrail is set at 1100mm high.

The lower frame can consist of different materials, including cladding panels or coloured glass to alter the aesthetics and functionality of the unit. Should it become necessary, these can be replaced safely from inside the balcony by a qualified technician. The handrail is available in a range of designs to provide an attractive finish to the glazing. Aluminium profiles are available in any RAL colour.

Unique features

VentTec is a patented self-ventilating system that is designed to keep the glazing free from condensation and ensure fresh air can enter the balcony, even when the windows are closed. Balco's glazing can be fitted with our patented CleanLine drainage system which will take water away from the glazing facade and redirect it internally through the glazing frame to the ground. Not only does this help with the water management of the building, but it also reduces smears and discolouration caused by running water on the glazing facade.

Accessories

Balco provide a number of optional extras such as flowerpots, floor coverings, blinds, awnings, and LED lighting which can be used to enhance the new glazed balcony.



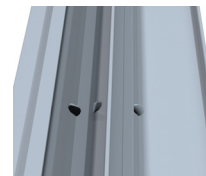
Maximum width per unit	5.4 m* / unit
Max height	2.8 m*
Noise reduction	~17 dB
Energy savings	~15 %**
Window glass	Tempered glass, 6-8 mm
Parapet	Laminated glass or other composite material

*The size is influenced by prevalent wind loads and national building regulations.

**Energy savings will vary and are influenced by the surroundings in which the balcony is placed.

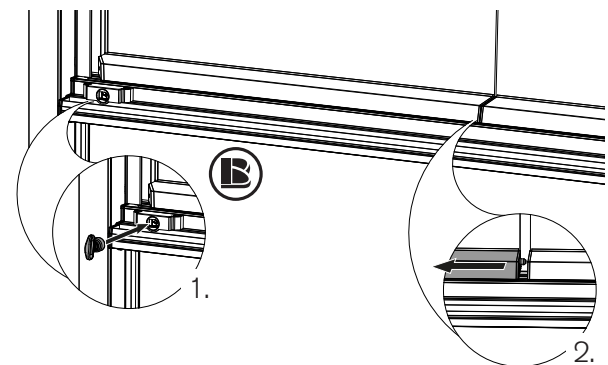


Magnetic key



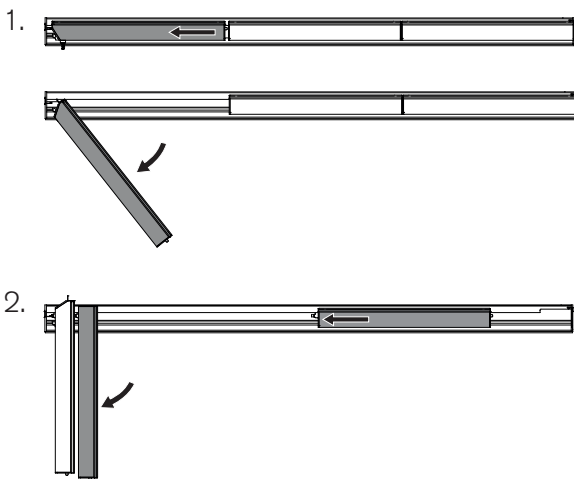
Cleanline - Draining in rail profile.

Lock / Unlock with the magnetic key



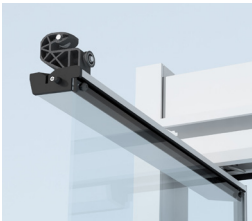
1. Place the magnetic key against the black cover on the area marked with "B" to unlock the window.
2. Release the locking pins by sliding the window to the side and then fold the window in.

This is how you open the windows



1. Open the windows by sliding the first window toward the opening side and then pulling it toward you.
2. Continue by sliding the remaining windows in the same direction. At the end of the opening, fold the windows inwards.

To close the window, return it to its original position. Ensure that the locking pins are put into the next window in line.
Please note! The window will not lock until you remove the magnetic key.



Swan neck



suspension carriage on the upper rail



Suspension carriage on the lower rail

The advantages of the Design window are that the mechanisms consist of fixed components, which means that the system is reliable and maintenance-free. Thanks to its solid construction and solid components, the system is very quiet to use. Each suspension carriage has three wheels with ball bearing wheels up and down, and this result in a stable, quiet passage and contributes to the stability of the window.



Design Air. Cross section and drawing from the side.



Design Air. Cross-section of corner post.